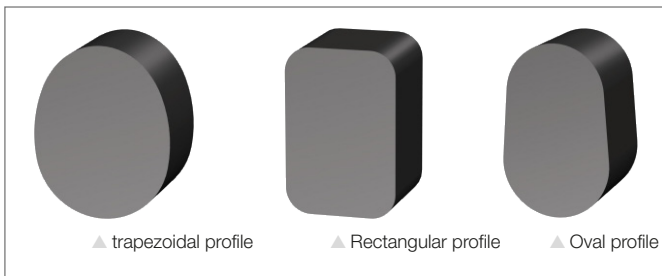


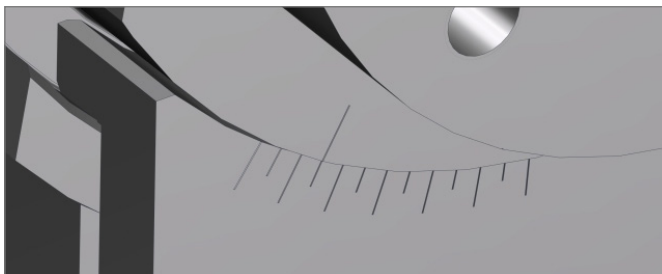
Rotary Roller Wire Guide – Optimized for Processing Profiled Wire

Description

The rotary roller wire guide for WAFIOS FUL machines enables an optimized processing of profiled wire. The wire guide's inclination is finely adjustable and can thus be adapted to the according wire profile.



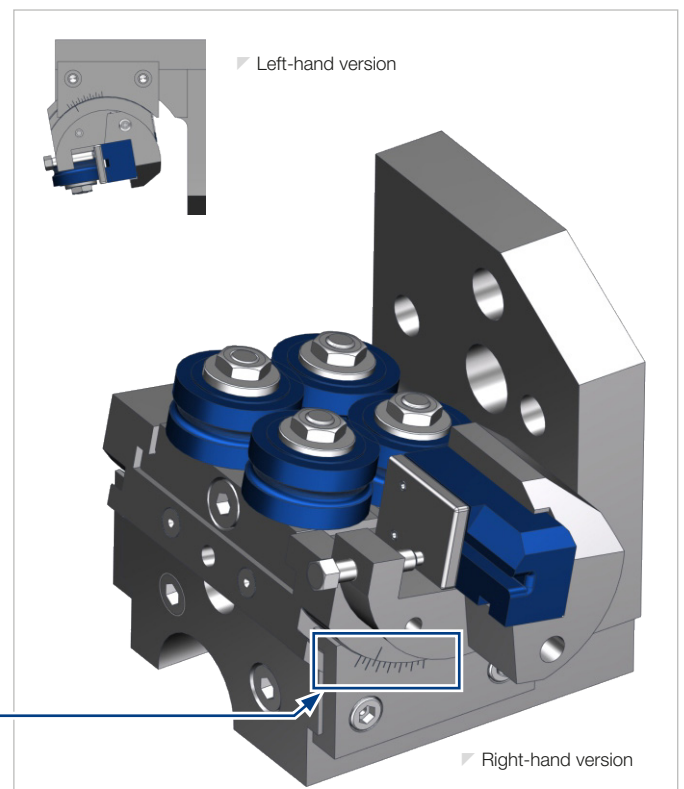
▲ Selection of different profiled wire shapes



▲ Scale for finely adjusting the inclination

Available Machine Types:

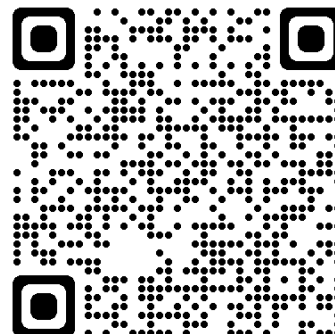
- FUL 45 ■ FUL 62 ■ FUL 76
- FUL 46 ■ FUL 63 ■ FUL 86
- FUL 56 ■ FUL 75



▲ Rotary roller wire guide

Our Accomplishments for your Benefit

- Simple exchange of wire guide rollers and wire guide
- Reduced tool wear
- Wire surface damages are avoided
- Improved dimensional stability of produced spring



WAFIOS AG
Silberburgstraße 5
72764 Reutlingen, Germany

Phone +49 (0) 7121 146-1836
Fax +49 (0) 7121 146-250
tools@wafios.de, www.wafios.com