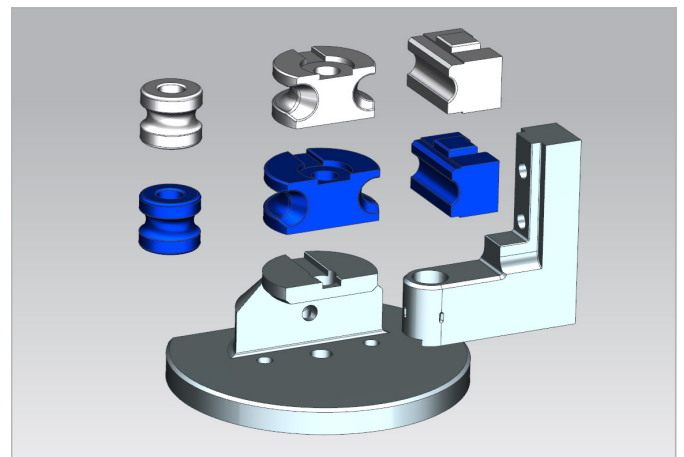


Modular Type 8 Bending Tool Hard Bronze Bending Die – A Quick Solution for Processing Stainless Steel Tubes

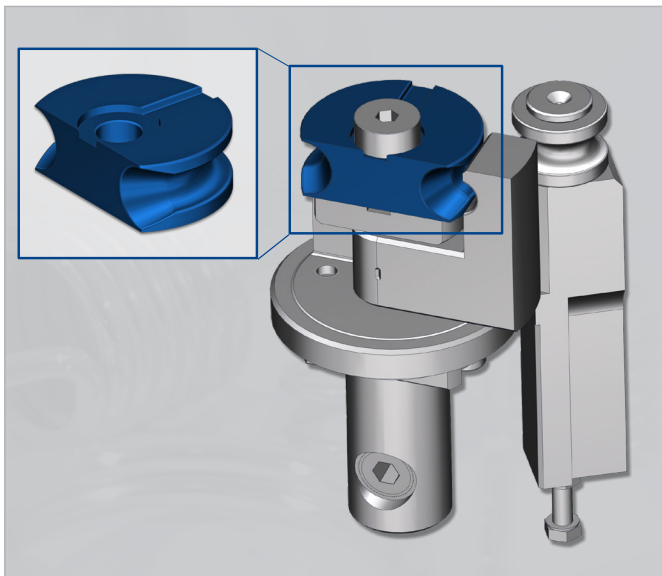
Bending Tool

The modular-structured WAFIOS Type 8 bending tool can be exchanged quickly, flexibly and economically depending on the required bending radii, tube diameters and design of bending levels, while maintaining a high degree of precision.

Adding a hard bronze bending die enables the reliable processing of tubes made of different kinds of stainless steel. An expensive and time-consuming coating of the bending die is not required.



▲ Modular-structured bending levels



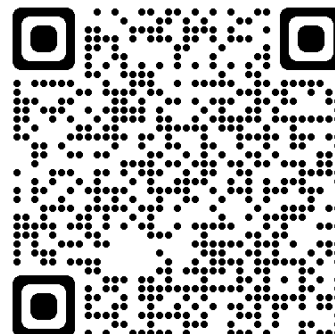
▲ Modular type 8 bending tool

Our Expertise for your Benefit

- Bending die as a modular level
- Processing of different kinds of stainless steel is possible
- Short delivery periods as blank parts are in stock
- Low-cost bending die

Machine Types:

- | | |
|----------|------------------------------|
| ■ BMZ 8 | ■ BMZ 42 |
| ■ BMZ 12 | ■ BMZ 61 |
| ■ BMZ 41 | ■ TWISTER ² 12 RL |



WAFIOS AG
Silberburgstraße 5
72764 Reutlingen, Germany

Phone +49 (0) 7121 146-1855
Fax +49 (0) 7121 146-250
tools@wafios.de, www.wafios.com