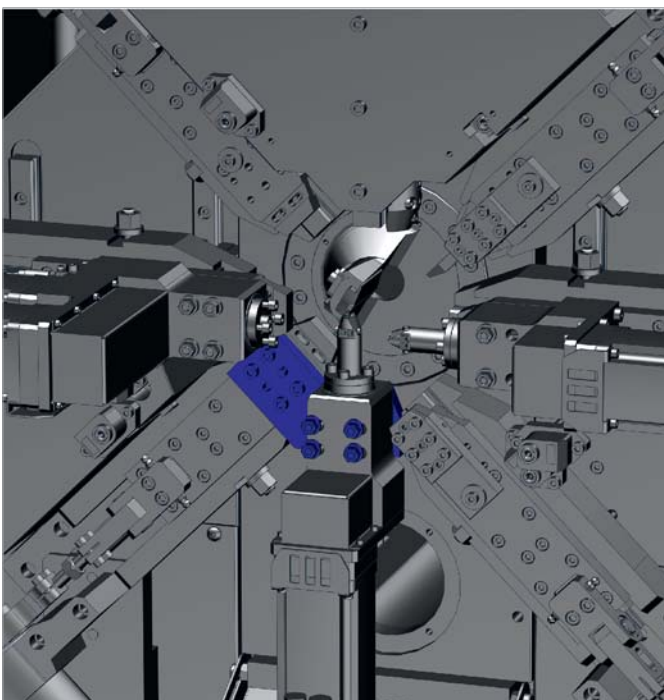
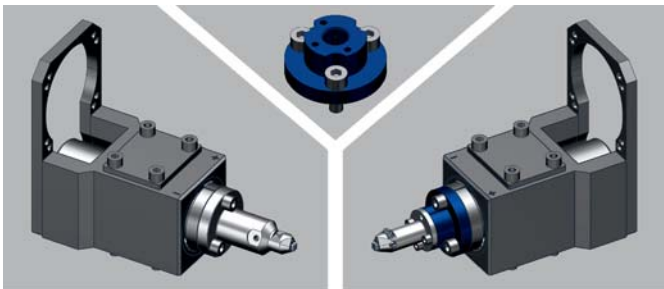


## Adapter for FMU Torsion Spring Machines



## Adapter for Bending Head / Bending Mandrel FMU Optimization of Costs through Modularity



▲ Bending head without adapter

▲ Bending head with adapter

An adapter allows the bending heads and mandrels of a FMU machine to be used on the next larger machine size.

FMU 1.x → FMU 2.x

### Machine Types

- FMU 2.2
- FMU 2.7
- FMU 25 (+)
- FMU 32 (+)

### Our Accomplishments for your Benefit

- Cost savings due to minimum scope of tools
- Use on two different machine sizes
- Smaller size of tool for a reduced interference contour

## Adapter for Winder in Z Axis



A mounting fixture for winders allows the Z axis to be used as another bending axis.

### Machine Types

- FMU 07, 08
- FMU 1.7, 16 (+)
- FMU 2.7, 25 (+)
- FMU 32, 40, 50 (+)
- FMU 6, 65, 80 (+)

### Our Accomplishments for your Benefit

- A further equivalent rotary unit for bending and winding by means of a winder type 3

## Adapter for FMU Torsion Spring Machines

### Swivel Arm for Rotary Unit

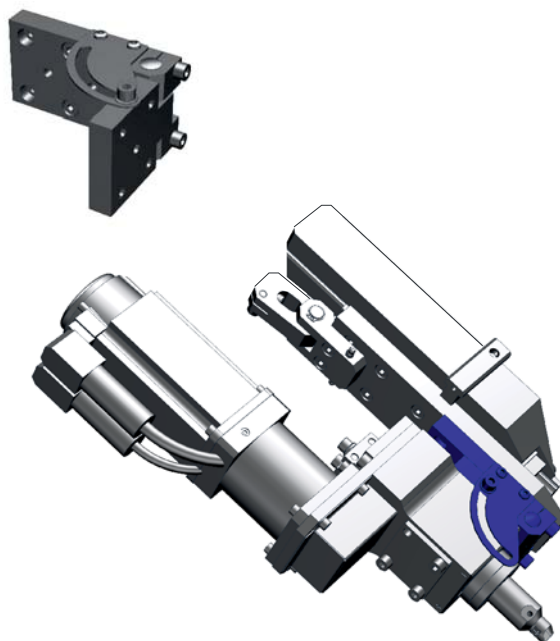
The swivel arm allows the tools on the rotary unit to be positioned at any angle between 0 and 90° to the wire axis.

#### Machine Types

- FMU 1,7, 16 (+)
- FMU 2,7, 25 (+)
- FMU 32 (+)

#### Our Accomplishments for your Benefit

- Possibility to make subsequent bends in free space
- Highest flexibility because the inclination can be adjusted as required
- Production of complicated geometries



### Swivel Plate

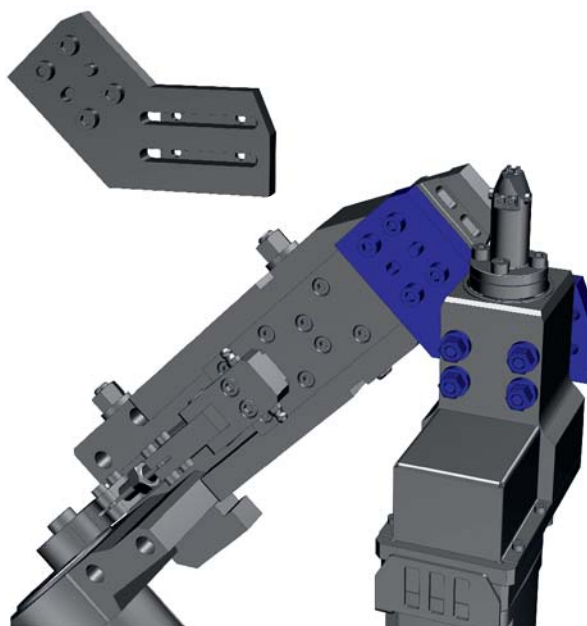
The swivel plate allows the tools on the rotary unit to be used in a vertical position from below.

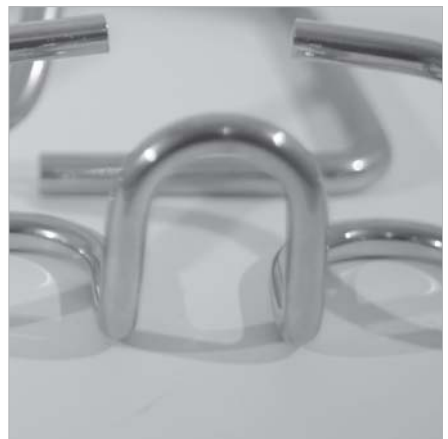
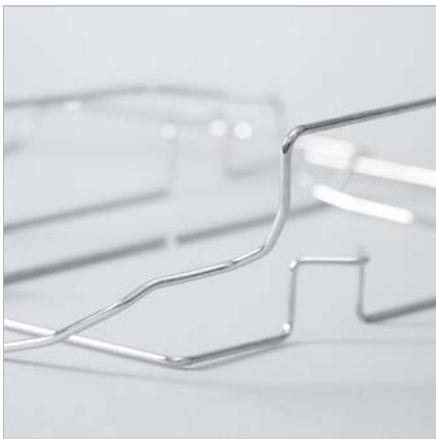
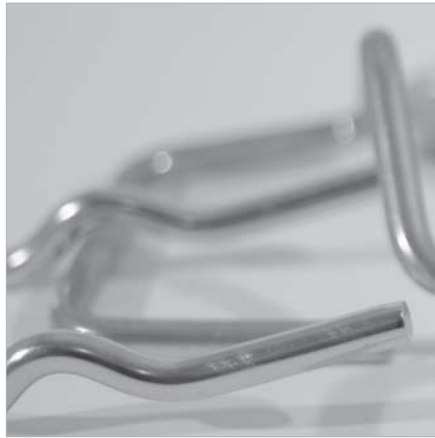
#### Machine Types

- FMU 07, 08
- FMU 1.7, 16 (+)
- FMU 2.7, 25 (+)
- FMU 32, 40, 50 (+)
- FMU 6, 65, 80 (+)

#### Our Accomplishments for your Benefit

- Additional vertical axis with winder
- Production of complicated geometries
- Reduction of axis rotations





**WAFIOS AG**

Silberburgstraße 5  
72764 Reutlingen, Germany  
Phone +49 7121 146-1816  
Fax +49 7121 146-250  
tools@wafios.de  
www.wafios.com

Precision Machinery for Wire and Tube