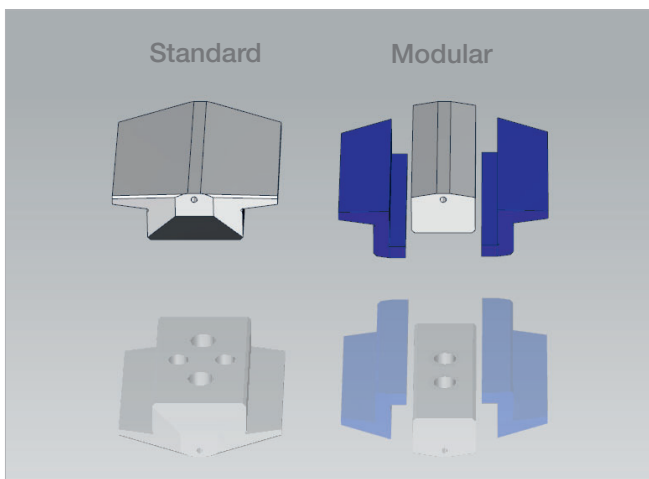


Coiling Wire Guide with Insert - Optimization of Costs through Modularity

Coiling Wire Guide

The modular structure of the coiling wire guide with insert, for WAFIOS machines of the FMU and FMK series, reduces the significance of tool costs. You only have to replace those parts that wear out during production.

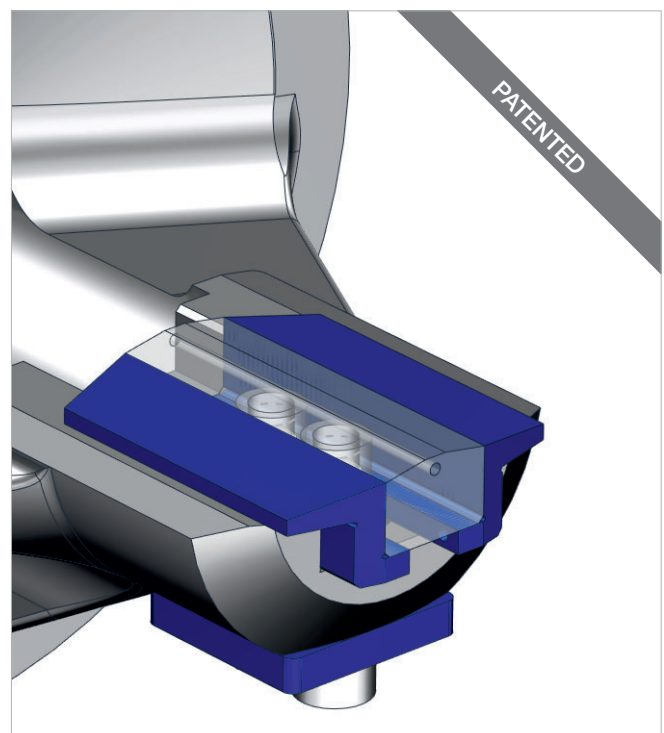
Currently, the coiling wire guide is available for wire diameters ≥ 0.6 mm and in a high-quality PM steel version.



▲ Standard coiling wire guide in comparison to modular wire guide

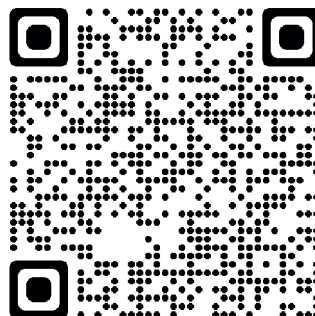
Machine Types:

- FMU 1.2
- FMU 1.7
- FMU 16
- FMU 2.2
- FMU 2.7
- FMU 25
- FMU 32
- FMK 2
- FMK 3
- FMU 16+
- FMU 25+
- FMU 32+
- Other types on request



Our Accomplishments for your Benefit

- Cost savings due to minimum scope of tools and separate exchange of individual components
- Wire guide insert in different materials possible, therefore it can be used for specific applications
- Simple reconditioning of wire guide insert



WAFIOS AG
Silberburgstraße 5
72764 Reutlingen, Germany

Phone: +49 7121 146-1836
Fax: +49 7121 146-250
tools@wafios.de, www.wafios.com

Precision Machinery for Wire and Tube